

GNSS ANTENNA

HYN3.5C1575 Series



- HYN3.5C1575 antenna series is available in different electrical and mechanical configurations: passive, active or GPS L1/Galileo E1.
- Active antenna provides low-noise coverage 1575.42MHz with a VSWR of 2.0:1. 26dB gain LNA which requires 3.5-12VDC. DC bias is provided through the connector.
- Guaranteed under the usage of military application by the environmental tests such as those of temperature, vibration, shock and altitude.
- Qualified for airborne/marine/ground vehicles, shipboard and repeater.

Electrical Specification

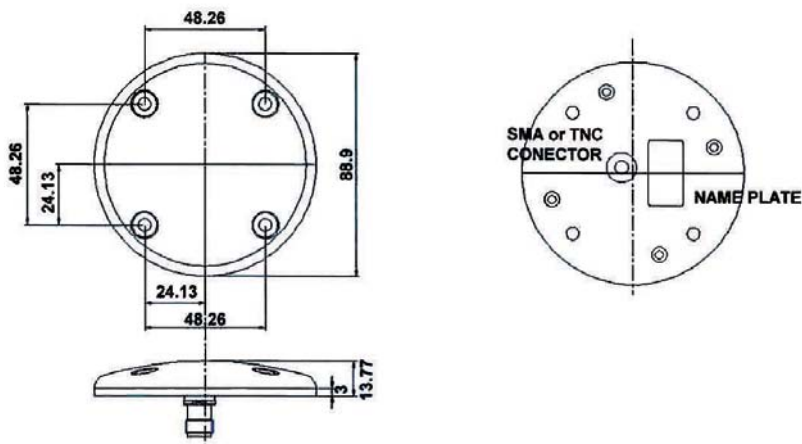
Item	Specification	Remarks
Frequency bands	1565-1585MHz (GPS L1, Galileo E1)	
VSWR	2.0:1	
Impedance	50 [Ohm]	
Polarization	RHCP	
Passive Antenna Gain @ Zenith	> 3 dBic (GPS L1, Galileo E1)	Free Space
Axial ratio	< 3dB @ Zenith	
LNA Gain	26 ±2 [dB]	
LNA Noise Figure(NF)	< 2.0 [dB]	
DC Power	3.5 - 12V DC	5V DC
Current	20mA (Max)	
Lightening Protection	DC Grounding	

Mechanical Specification

Item	Specification	Remarks
Size	φ=88.9 , H = 13.77	mm
Connector	TNC Female	
Weight	Not Exceed 120g	
Material	6061-T6ALUMINUMALLOY BASE	

Outline dimensions

[UNIT : mm]



Ordering information

HYN3.5C1575R-A-T-1

