

GNSS ANTENNA

HYN5C Series



- Active L1/L2 GPS, GLONASS L1, Galileo E1 antenna is designed with turnstile structure to get the wide bandwidth, the accurate impedance matching and the stable performance independent of the mounting environment.
- Active antenna provides low-noise coverage 1227.6MHz, 1575.42MHz and 1602MHz with a VSWR of 1.5:1. 32dB gain LNA which requires 3.5-12VDC. DC bias is provided through the connector.
- Guaranteed under the usage of military application by the environmental tests such as those of temperature, humidity, salt fog, leakage (Immersion), rain, sand and dust, freezing, vibration and shock.
- Qualified for a tank/armored car and a high altitude vehicle.
- Military Specifications: MIL-STD-810F

Electrical Specification

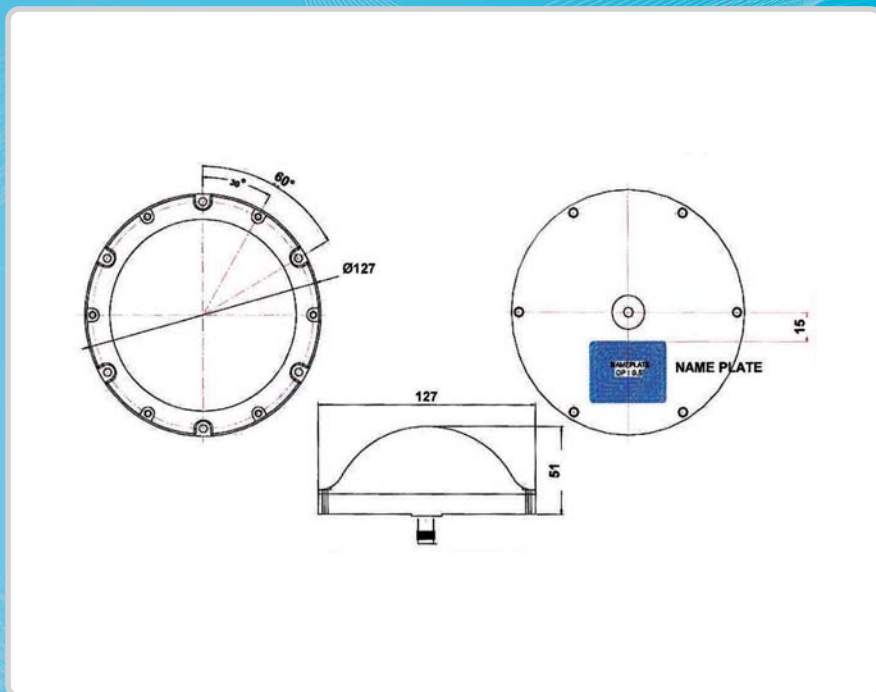
Item	Specification	Remarks
Frequency bands	1565-1615MHz (GPS L1 , GLONASS L1, Galileo E1) 1222-1232MHz(GPS L2)	
VSWR	1.5:1	
Impedance	50 [Ohm]	
Polarization	RHCP	
Axial ratio	< 3dB @ Zenith	
Passive Antenna Gain @ Zenith	3.5dBic@Zenith	Free Space
3dB Beam width	>110(Deg)	Free Space
LNA Gain	32 ±2 [dB]	
LNA Noise Figure(NF)	< 1.5 [dB]	
DC Power/Current	3.5 ~ 12V DC/40mA (Max)	5V DC
Lightening Protection	DC Grounding	

Mechanical Specification

Item	Specification	Remarks
Size	φ=127 , H=51	mm
Connector	TNC Female	
Weight	Not Exceed 420g	
Material	6061-T6 ALUMINUMALLOY BASE	

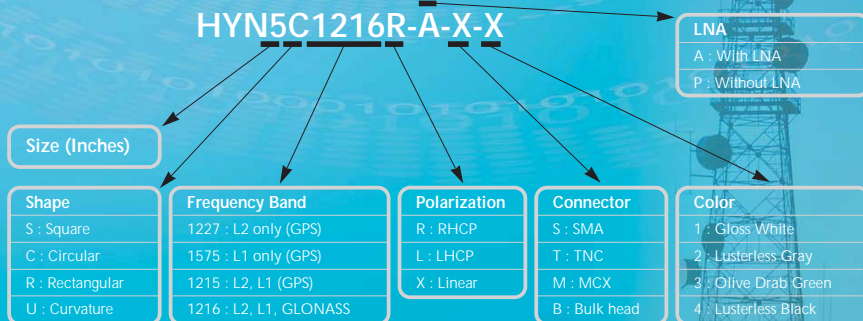
Outline dimensions

[UNIT : mm]



Ordering information

HYN5C1216R-A-X-X



Size (Inches)

Shape

- S : Square
- C : Circular
- R : Rectangular
- U : Curvature

Frequency Band

- 1227 : L2 only (GPS)
- 1575 : L1 only (GPS)
- 1215 : L2, L1 (GPS)
- 1216 : L2, L1, GLONASS

Polarization

- R : RHCP
- L : LHCP
- X : Linear

Connector

- S : SMA
- T : TNC
- M : MCX
- B : Bulk head

Color

- 1 : Gloss White
- 2 : Lusterless Gray
- 3 : Olive Drabi Green
- 4 : Lusterless Black

LNA

- A : With LNA
- P : Without LNA