

GNSS ANTENNA

HYN4.9U Series



- Conformal GNSS antenna series is available in different electrical and mechanical configurations: passive, active or multiple(GPS L1/L2, GLONASS L1, Galileo E1) and can be mounted on a wide range of surface configurations.
- Active antenna provides low-noise coverage 1227.6MHz, 1575.42MHz and 1602MHz with a VSWR of 2.0:1. 29dB gain LNA which requires 3.5–12VDC. DC bias is provided through the connector.
- Guaranteed under the usage of military application by the environmental tests such as those of temperature, humidity, salt fog, vibration, shock and altitude.
- Qualified for high altitude and airborne applications.

Electrical Specification

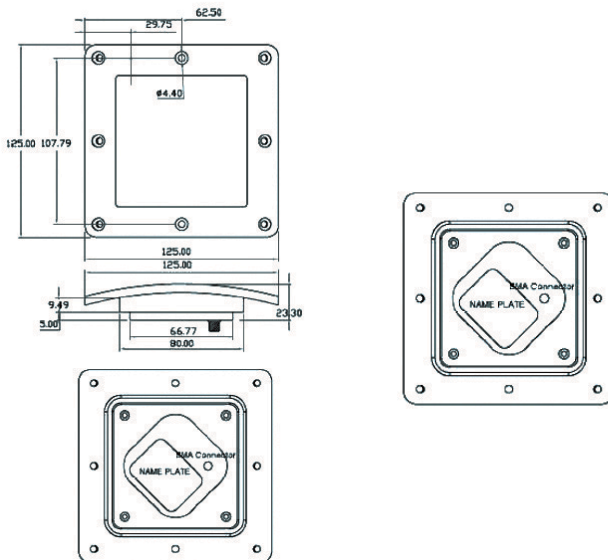
Item	Specification	Remarks
Frequency bands	1571-1606MHz (GPS L1 , GLONASS L1, Galileo E1), 1223-1231MHz(GPS L2)	
VSWR	2.0:1	
Impedance	50 [Ohm]	
Polarization	RHCP	
Passive Antenna Gain @ Zenith	> 3 dBic (GPS L1/L2, GLONASS, Galileo E1)	Free Space
Axial ratio	< 3dB @ Zenith	
LNA Gain	29 ±2 [dB]	
LNA Noise Figure(NF)	< 2.0 [dB]	
DC Power	3.5 – 12V DC	5V DC
Current	40mA (Max)	
Lightening Protection	DC Grounding	

Mechanical Specification

Item	Specification	Remarks
Size	125 X 125 , H=23.3	mm
Connector	SMA Female	
Weight	Not Exceed 360g	
Material	6061-T6 ALUMINUMALLOY BASE	

Outline dimensions

[UNIT : mm]



Ordering information

HYN4.9U1216R-A-S-X

