

GNSS ANTENNA

HYN3.5S Series



- Multi-band GNSS antenna series is available in different electrical and mechanical configurations: passive, active or multiple(GPS L1/L2, GLONASS L1, Galileo E1).
- Active antenna provides low-noise coverage 1227.6MHz, 1575.42MHz and 1602MHz with a VSWR of 2.0:1. 32dB gain LNA which requires 3.5-12VDC. DC bias is provided through the connector.
- Guaranteed under the usage of military application by the environmental tests such as those of temperature, vibration and shock.
- Qualified for a tank/armored car and a high altitude vehicle.

Electrical Specification

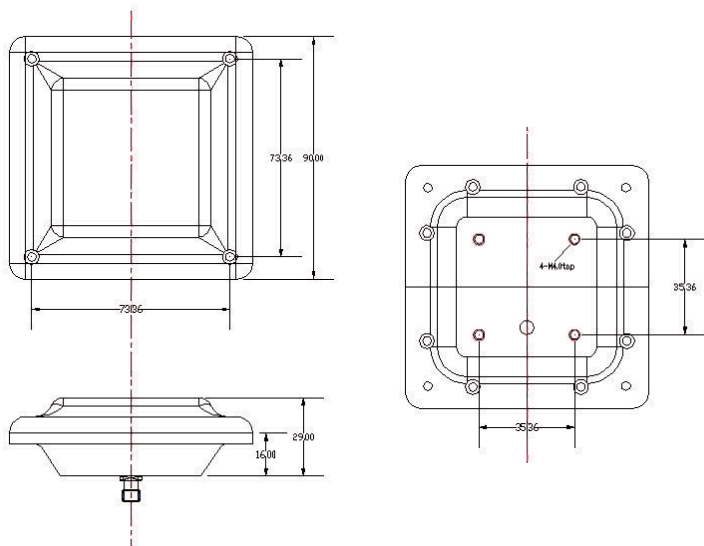
Item	Specification	Remarks
Frequency bands	1563-1615MHz (GPS L1 , GLONASS L1, Galileo E1) , 1215-1239MHz(GPS L2)	
VSWR	2.0:1	
Impedance	50 [Ohm]	
Polarization	RHCP	
Passive Antenna Gain@ Zenith	>2dBic (GPS L1/L2, GLONASS L1, Galileo E1)	Free Space
Axial ratio	< 3dB @ Zenith	
LNA Gain	32 ±2 [dB]	
LNA Noise Figure(NF)	< 2.0 [dB]	
DC Power	3.5 - 12 V DC	5V DC
Current	50mA (Max)	

Mechanical Specification

Item	Specification	Remarks
Size	90X90 , H = 29	mm
Connector	SMA Female	
Weight	Not Exceed 280g	
Material	6061-T6 ALUMINUMALLOY BASE	

Outline dimensions

[UNIT : mm]



Ordering information

HYN3.5S1216R-A-S-4

